



# MCD-191

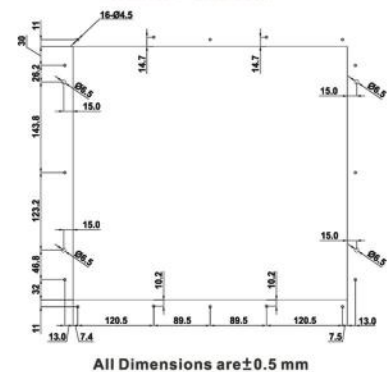
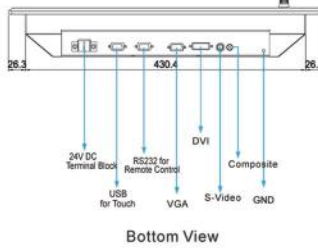
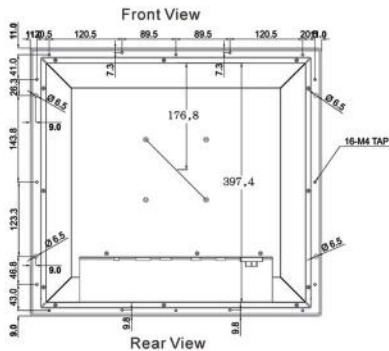
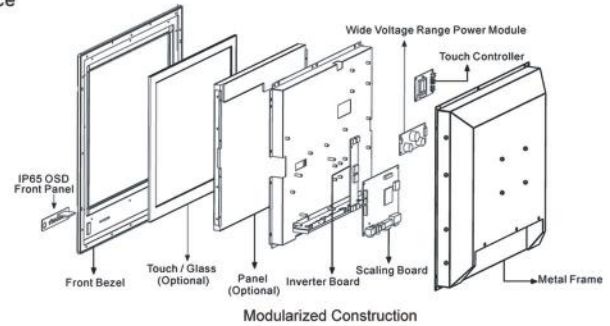
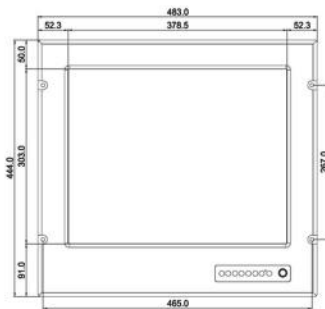
## 19" MARINE CERTIFIED DISPLAY

### Features:



- Hyper Dimming : Dimming knob control backlight brightness from nearly 0% to 100%
- Sunlight Readable : Transflective film technology enhance visibility
- Anti-Corrosion & IP Proof : IP65 aluminum housing with powder coating design (IP54 rear)
- Wide Voltage Range Input : 24 V DC to DC power input acceptable (Isolation Resistance)
- Touchscreen/ Protection Glass : 2 point multi-touch screen / AR protection glass for option
- Multiscan Function : PIP(picture in picture) function and multi-video inputs
- IP65 OSD Front Panel Design : Ease of use front panel OSD control
- Anti-Shock and Vibration : Enhanced shock and vibration resistance

### Mechanical Design Drawing



\* Note: this is a simplified drawing and some components are not marked in detail. Please contact our sales representative if you need further product information.

#### TFT Characteristics:

Pixel Number	: 1280 x 1024
Pixel Pitch(RGB)	: 0.294 (H) x 0.294 (V) mm
Contrast Ratio	: 1000:1 (typ.)
Light Intensity	: 250 cd/m <sup>2</sup> (typ.)
Viewable Angles	: -85~85(H); -80~80(V)
Active Display Area	: 376.32 (H) x 301.06(V) mm
Max Colors	: 16.7M (8bit/colors)

#### Input Signals:

RGB Signal	: D-SUB 15P connector(female)
Composite Video	: RCA phono plug
S-Video Signal	: S-Video (SVHS) plug
DVI-D Signal	: DVI-D input 24pin connector
DC Power Signal	: Screw terminal block
AC Power Signal (Optional)	: Std IEC Inlet
Touch Screen (Optional)	: USB Connector (female)
Remote via RS-232 (Optional)	: D-SUB 9P connector (female)

Note: All specifications are subject to change without prior notice.

#### User Controls:

Power On/Off via front button
VR Brightness Knob Control
Power Mode Status LED
On Screen Display control(OSD)
OSD Remote Control via RS-232

#### Power Specifications:

Power Supply Options	: 24 V DC power supply with Terminal block (Default, Isolation Resistance)
Power Consumption	: 45 W typical, normal operation

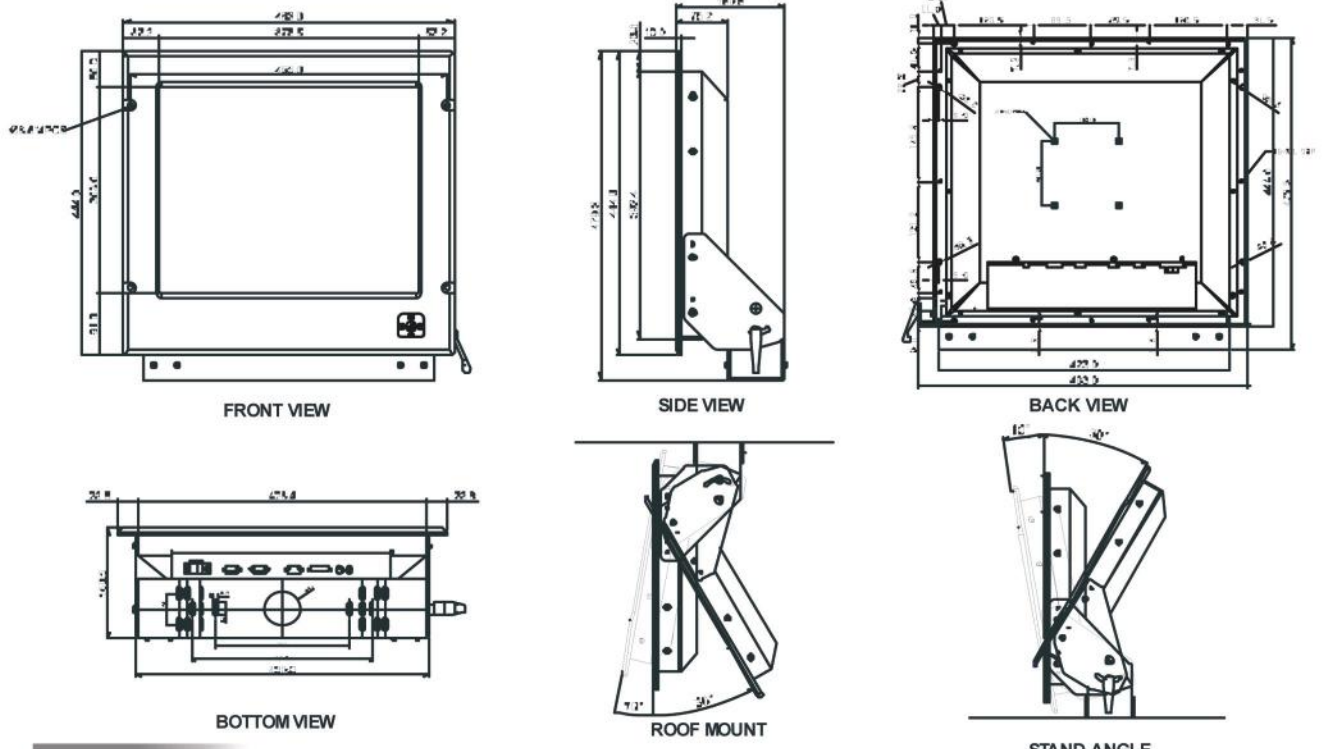
#### Mechanical and Environmental:

Mechanical Mounting	: Panel (Flush) mount with IP65*, VESA, Bracket mounting
Operating Temperature	: -10 to 55 deg.C (-20 to 60 deg.C for optional heating)
Operating Humidity	: 5% to 95% (non condensing)
Anti-Vibration	: 5Hz~500Hz / 1Grms/3 Axis
Anti-Shock	: 15G, 11ms duration
* SAW touch for IP54	

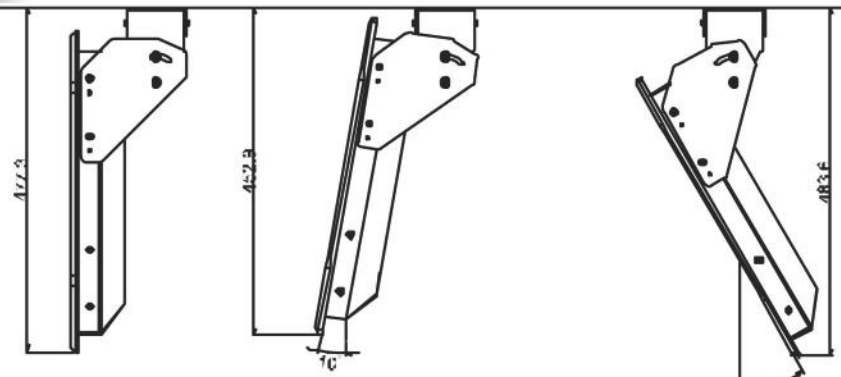
#### Available Options:

AR Safety Glass Options	: 3mm Anti-reflective protection glass
Transflective Options	: Yes (Enhance Visibility)
AC power Options	: Yes (90 to 265 V AC power input), only DC has DNV approval
Bracket Mounting Options	: Yes (One robust bracket can adjust from -10 to 30 deg.)

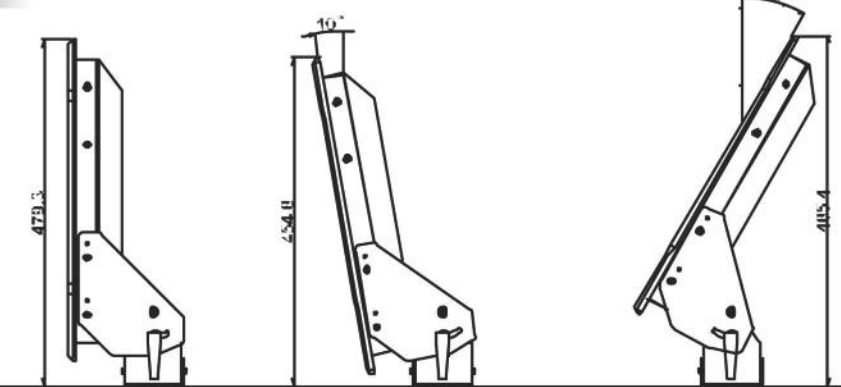
**Mechanical Design with Robust Bracket (options)**



**ROOF MOUNT**



**STAND ANGLE**



All Dimensions are ± 0.5 mm

\* Note: this is a simplified drawing and some components are not marked in detail. Please contact our sales representative if you need further product information.



**Certification and Approvals :** IEC 60945, DNV 2.4, IACS-E10  
DNV Type Approval, CE, FCC

**CAPTEC**

[www.capttec-group.com](http://www.capttec-group.com)

EMEA Office  
Hampshire, PO15 5SH, UK

North America Office  
Ontario, N3H 4R7, Canada

T: +44 (0)1489 866 066  
F: +44 (0)1489 866 088  
E: [sales@uk.capttec-group.com](mailto:sales@uk.capttec-group.com)

T: +1 (519)650-4000  
F: +1 (519)650-2000  
E: [sales@ca.capttec-group.com](mailto:sales@ca.capttec-group.com)



140525-1 © Captec Ltd. 2014 All rights reserved - All products and company names listed are trademarks or trade names of their respective companies

