



MCD-101

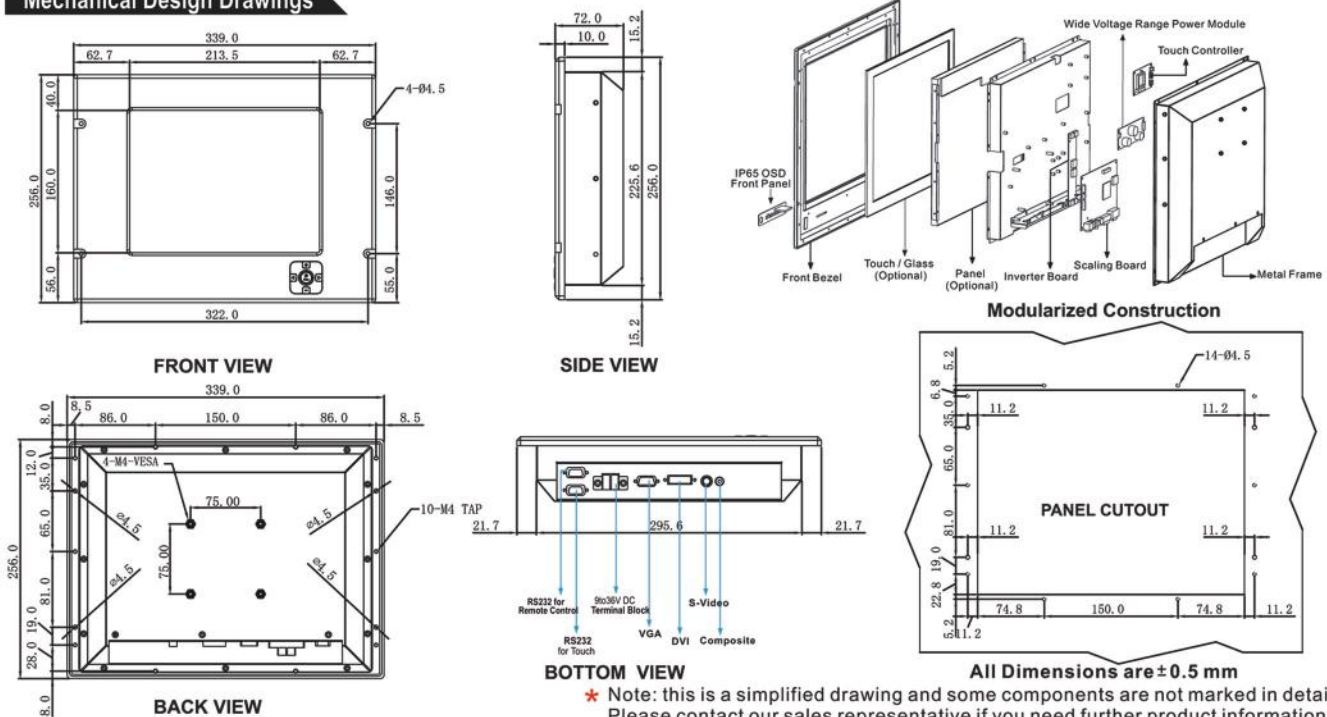
10" MARINE CERTIFIED DISPLAY



Features:

- **Hyper Dimming** : Dimming knob control backlight brightness from nearly 0% to 100%
- **Sunlight Readable** : Transflective film technology enhance visibility
- **Anti-Corrosion & IP Proof** : IP66 aluminum housing with powder coating design (IP54 rear)
- **Wide Voltage Range Input** : 24V DC to DC power input acceptable (Isolation Resistance)
- **Touchscreen/ Protection Glass** : High quality touchscreen / AR protection glass for option
- **Multiscan Function** : PIP (picture in picture) function and multi-video inputs
- **IP65 OSD Front Panel Design** : Ease of use front panel OSD control
- **Anti-Shock and Vibration** : Enhanced shock and vibration resistance

Mechanical Design Drawings



TFT Characteristics:

Pixel Number	: 800 x 600
Pixel Pitch(RGB)	: 0.264(H) x 0.264(V)
Contrast Ratio	: 500 : 1 (typ.)
Light Intensity	: 400 cd/m ² (typ.)
Viewable Angles	: -70~70(H); -60~50(V)
Active Display Area	: 211.2(H) x 158.4(V) mm
Max Colors	: 16.7M (8bit/colors)

Input Signals:

RGB Signal	: D-SUB 15P connector (female)
Composite Video	: RCA phono plug
S-Video Signal	: S-Video (SVHS) plug
DVI-D Signal	: DVI-D input 24pin connector
DC Power Signal	: Screw terminal block
AC Power Signal (optional)	: Std IEC Inlet
Touch Screen (Optional)	: D-SUB 9P connector (female)
Remote via RS-232 (Optional)	: D-SUB 9P connector (female)

User Controls:

- Power On/Off via Front Button
- Power Mode Status LED
- On Screen Display control(OSD)
- OSD Remote Control via RS-232

Power Specifications:

Power Supply	: 24V DC power supply with Terminal block (Default, Isolation Resistance)
Power Consumption	: 21 W typical, normal operation

Mechanical and Environmental:

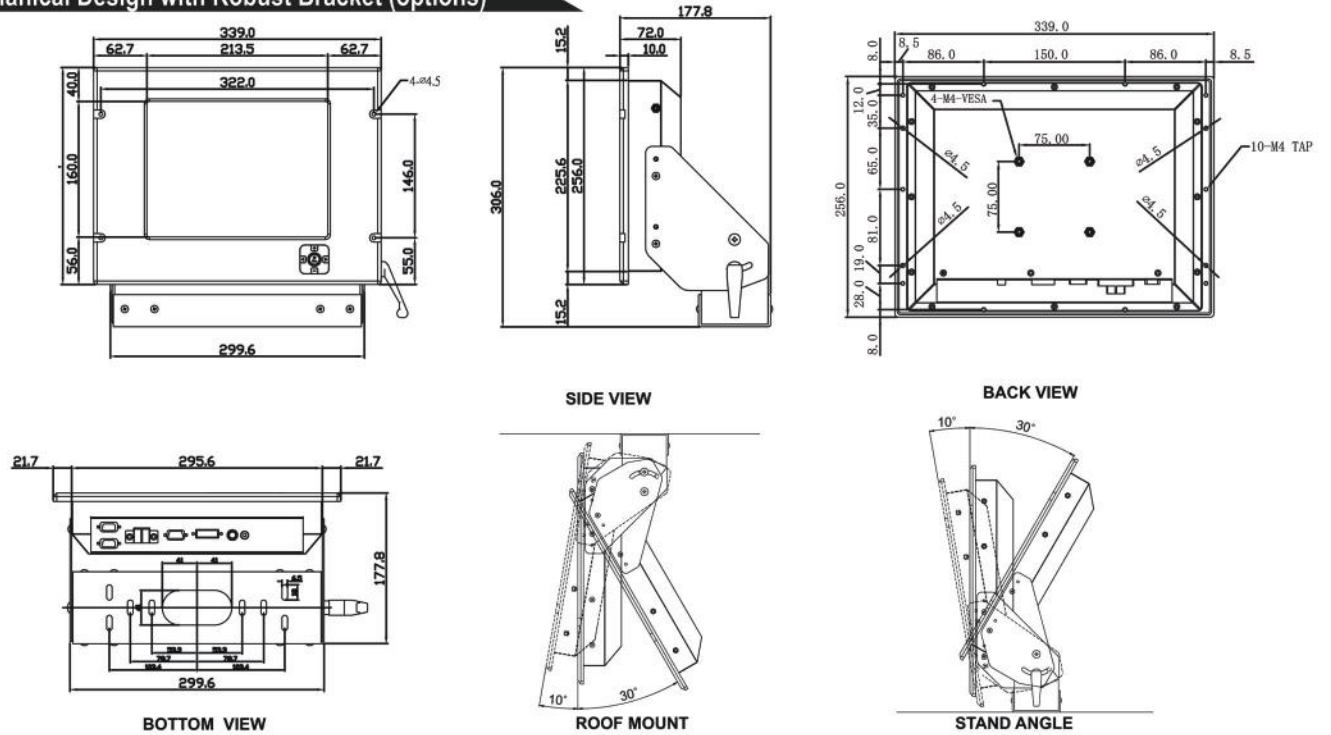
Mechanical Mounting	: Panel (Flush) mount with Ip66*, VESA, Bracket mounting
Operating Temperature	: -15 to 55 deg.C (-20 to 60 deg.C for optional heating)
Operating Humidity	: 5% to 95% (non condensing)
Anti-Vibration	: 5Hz~500Hz / 1Grms/3 Axis
Anti-Shock	: 15G, 11ms duration
* SAW touch for IP54	

Available Options:

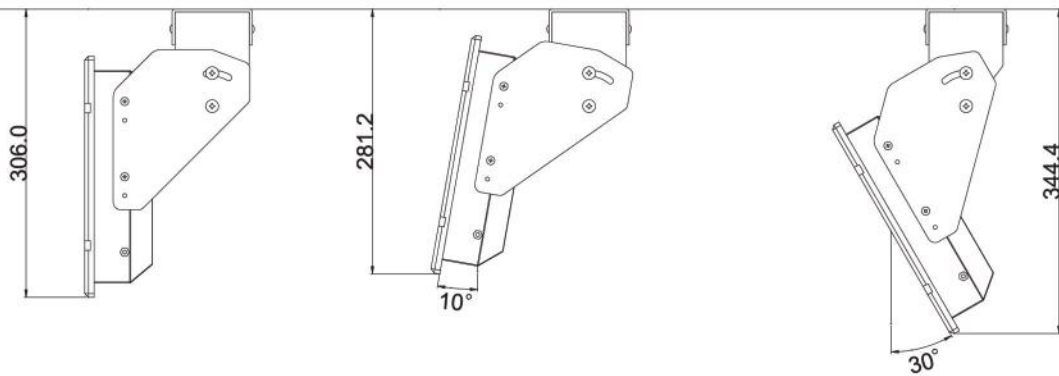
Touch Screen Options	: SAW, 5 Wire Resistive
AR Safety Glass Options	: 3mm Anti-reflective protection glass
Transflective Options	: Yes (Enhance Visibility)
Bracket Mounting Options	: Yes (One robust bracket can adjust from -10 to 30 deg.)

Note: All specifications are subject to change without prior notice.

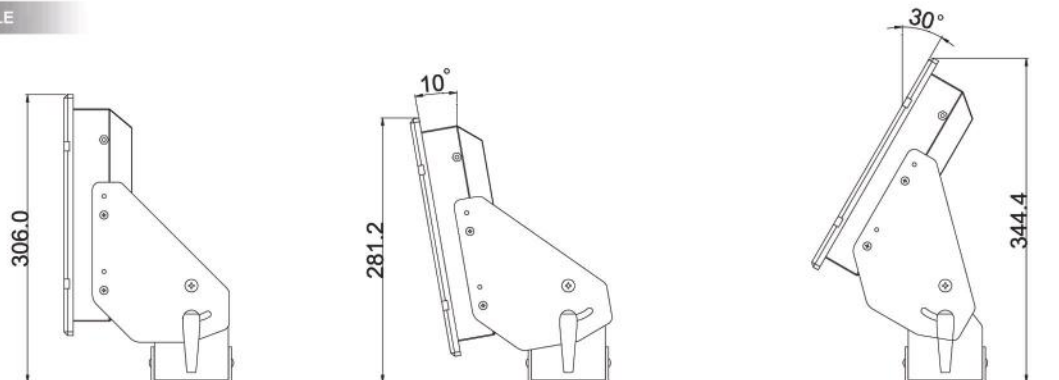
Mechanical Design with Robust Bracket (options)



ROOF MOUNT



STAND ANGLE



All Dimensions are ± 0.5 mm

* Note: this is a simplified drawing and some components are not marked in detail. Please contact our sales representative if you need further product information.

Certification and Approvals : IEC 60945, DNV 2.4, IACS-E10
DNV Type Approval, CE, FCC



CAPTEC

www.capttec-group.com

EMEA Office
Hampshire, PO15 5SH, UK

North America Office
Ontario, N3H 4R7, Canada

T: +44 (0)1489 866 066
F: +44 (0)1489 866 088
E: sales@uk.capttec-group.com

T: +1 (519)650-4000
F: +1 (519)650-2000
E: sales@ca.capttec-group.com



140523-1 © Captec Ltd. 2014 All rights reserved - All products and company names listed are trademarks or trade names of their respective companies

